

NIGHTWATCHER

MOTION TRACKING SENSOR HALOGEN LIGHT

INSTALLATION & OPERATING MANUAL



NIGHTWATCHER ALARM PLUS
MODEL NO: NW1010X

INTRODUCTION

Congratulations on the purchase of your new Nightwatcher Alarm Plus. Before installation of the unit, please read the operating instructions and safeguards carefully. It is important that you read and follow the instructions in the manual, even if you feel you are familiar with this type of product.

Please retain the instructions in a safe place for future reference

SPECIFICATIONS

Model Number:	NW1010x
AC Input:	220-240V 50Hz
Time Adjustment:	Fixed at 3 Minutes
Sensor Range:	10m x 210°
Power Consumption:	150Watts
IP Weather Rating:	IP54
Lamp:	150W, J type Halogen Lamp

IMPORTANT SAFEGUARDS

WHEN USING ELECTRICAL APPLIANCES, IN ORDER TO REDUCE THE RISK OF FIRE, ELECTRIC SHOCK, AND/OR INJURY, THESE BASIC SAFETY PRECAUTIONS SHOULD ALWAYS BE FOLLOWED:

FOR YOUR SAFETY

Read all instructions carefully, even if you feel you are quite familiar with the appliance.

- Any alterations or additions to building wiring, must be completed by a licensed electrical mechanic, or person authorised by legislation to work on the fixed wiring of any electrical installation
- To prevent electric shock, please ensure that power is disconnected before installing.
- The appliance is not intended for use by children or infirm persons without supervision.
- Children should be supervised to ensure that they do not play with the appliance.
- This unit must be connected to a 220-240V 50Hz power source
- The lamp must be earthed
- The cable installed shall be 3 x 1.0mm² at least
- The unit is for outdoor use only
- The unit is for wall mounting

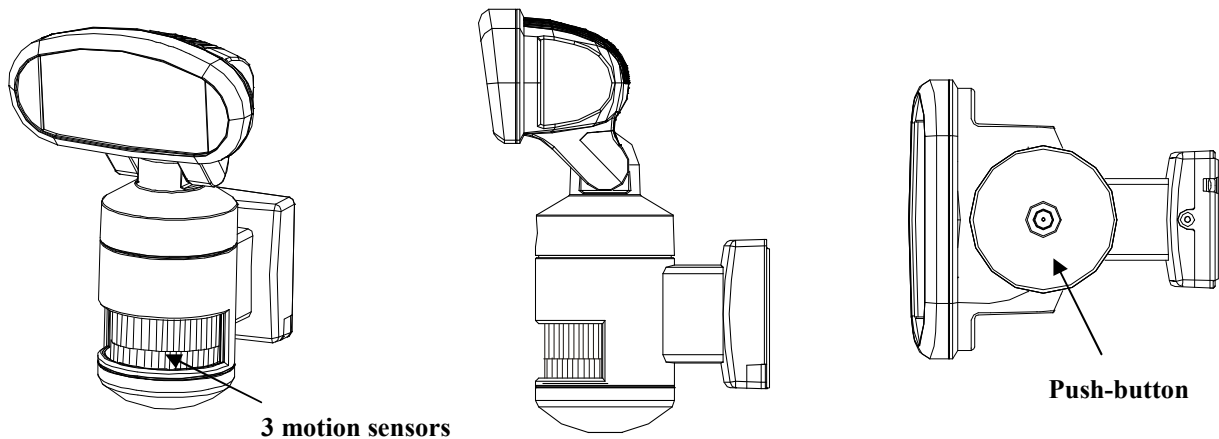
COMPULSORY WARNING

Note: No user serviceable parts inside. The Halogen Lamp is the only part that can be replaced.

Unauthorised modification voids warranty, Return to place of purchase for replacement or service under warranty.

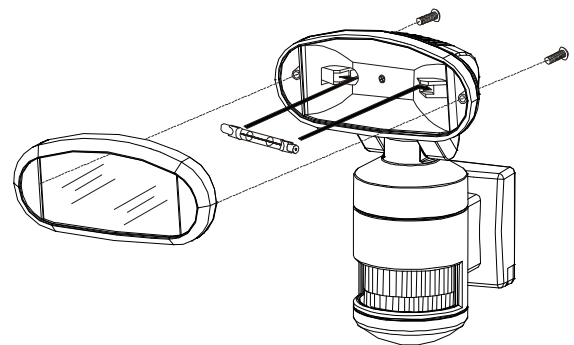
SAVE THESE INSTRUCTIONS

OVERVIEW



INSTALLING THE BULB

- Unscrew the lamp cover of the luminaire and install a 150W J-type lamp.
- Re-fit the lamp cover and tighten the screws.



IMPORTANT: THE INSTALLATION OF THIS FITTING MUST BE DONE BY A QUALIFIED ELECTRICIAN.

- This fitting must be earthed.
- Do not mount the luminaire against inflammable surfaces.
- The motion detector will not operate correctly if it is installed
 - Near the outlet of a central heating boiler
 - Near air conditioning plant
 - Pointing directly at moving vehicles
 - Within sight of reflection from moving water
 - Where other lamps could shine onto the detector
- The maximum rating of this luminaire is 150 Watts. Check that the total load of the circuit including this luminary does not exceed the rating of the circuit cable.

WARNING !!!

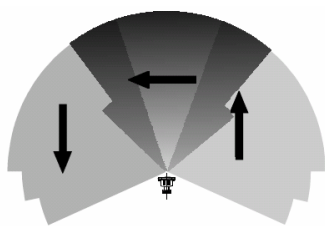
BEFORE ATTEMPTING ANY INSTALLATION OR MAINTENANCE, ENSURE THAT THE ELECTRICAL SUPPLY IS SWITCHED OFF AND THE CIRCUIT FUSES REMOVED OR THE CIRCUIT BREAKER IS IN THE "OFF" POSITION.

NOTE: This highly responsive unit may occasionally activate due to rapid environmental changes. Allow for approximately 30 seconds warm-up time before the sensor resumes normal activity.

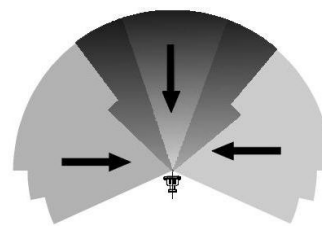
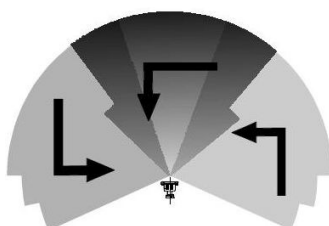
MOUNTING THE FITTING

To ensure correct operation of the sensor, mount the luminaire that traffic passes across the detector.

TOP VIEW



GOOD SENSITIVITY

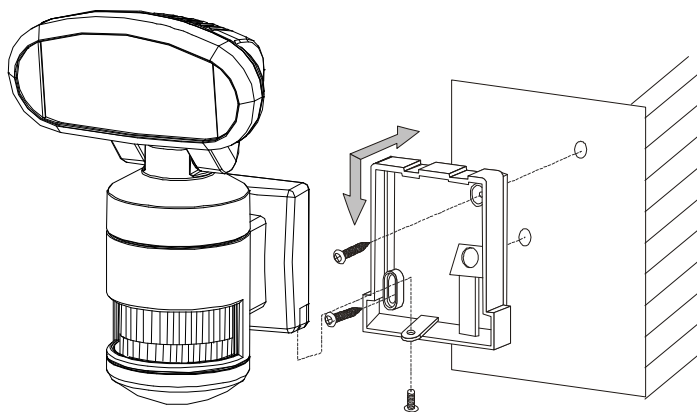


LESS SENSITIVITY

INSTALLATION AND WIRING INSTRUCTIONS

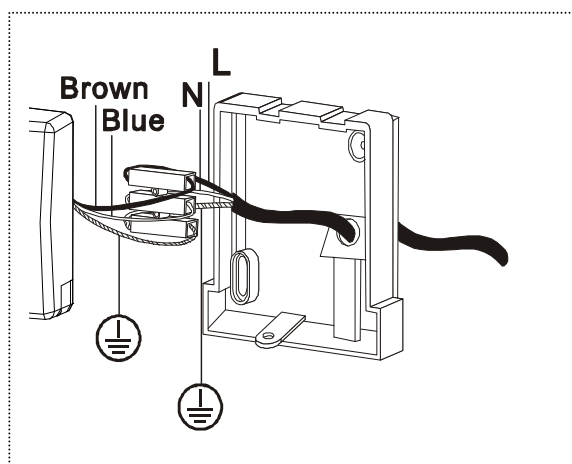
Remove the inset back mounting box from the luminaire. Fit the inset back mounting box onto the wall and tighten the screws at a height that ensures adequate coverage of the area by the infrared detector. The minimum installation height is 2 meters. And the maximum height is 3 meters.

NOTE: DO NOT REMOVE THE TAPE UNTIL YOU FINISH THE INSTALLATION. IF THE TAPE COMES OFF THE LIGHT, PLEASE REPLACE IT OR HOLD THE LIGHT HEAD TO AVOID SWIVELING AND DAMAGE THE PRODUCT.



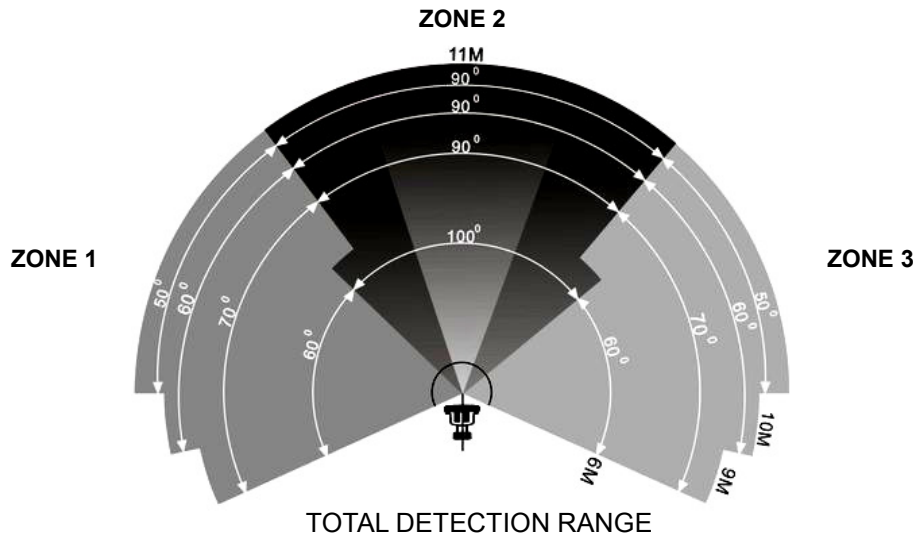
WIRING INSTRUCTIONS





- Feed the cable through the back mounting box and bush the cable entry to avoid abrasion to the cable.
- Connect the earth wire to the connector opposite the green/yellow cable.
- Connect the brown phase conductor active to the connector opposite the brown cable and tighten the screws.
- Connect the blue neutral conductor to the connector opposite the blue cable and tighten the screws.
- Check that all connections are correct and tight, as any misconnections will damage the detector.
- Re-fit the fitting to the back mounting box

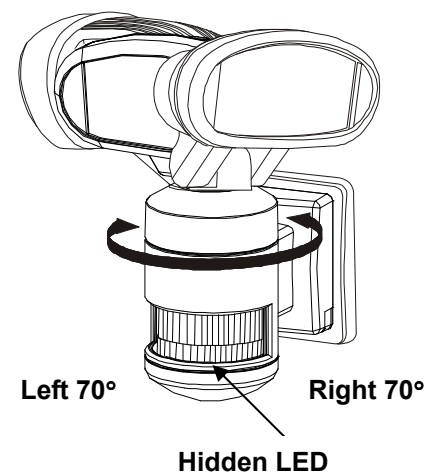
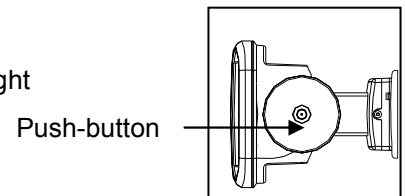


FUNCTION

This light is equipped with 3 motion sensors: zone 1 covers 60 degree, zone 2 covers 100 degrees and zone 3 covers 60 degrees. 220 degrees (maximum) in total for 3 zones.



- When power is first turned on the light will go to self calibration mode for about 1 minute.
- During calibration mode the light will switch on for 1 minute to test bulb activity.
If calibration was done during day time - the light will automatically go to stand by mode until dusk.
If calibration was done during night time - the light will resume normal operation.
- The factory default setting is:
 - **Night Mode** - the light will turn on for 3 minutes when heat / movement are detected. Steady red LED through the front lens of the housing indicates system active.
- To change detection / light activity to
 - **ALL Day Mode** - push the button at the bottom of the housing.
- **Push-button programmable functions:**
 - Night time mode: light works at night only and alarm works on day and night (factory setting)  
 - All day mode: light and alarm work on day and night  
- **Reset function:** If the stepper motor of tracking light works abnormally, the hidden LED indicator will flash in red and the light will stop turning automatically. In **All Day Mode**, the red light will flash on and off for 5 seconds; in **Night Mode**, the red light will flash in regular patterns. Simply switch off and on at the main power supply to reset the tracking light operation. Below are the possible abnormal situations.
 - **External force:** the light head is blocked by objects or is blown by strong wind and is unable to turn properly, the hidden LED will flash in red to signal users the abnormal situation.
 - **Stepper motor:** when stepper motor is out of synchronization, malfunction or damaged, the hidden LED will flash in red to signal users the abnormal situation. Switch off and on at the main power supply. If the stepper motor stops working, the tracking light becomes a regular motion sensor security light.



OPERATION

1. Turn on the wall switch to activate the light, the light is now under nighttime mode: light and alarm work at night only.

NOTE: Allow for approximately 30 seconds warm-up time before the sensor resumes normal activity.

2. To test, walk through the sensor's detection area.

3. Movement will activate the sensor and turn the light on, the light will turn the face to the detected zone for approx. 3 minutes.

4. After the light is activated, **keep out of detection area** and the light will switch off automatically after 3 minutes. The light will be activated again when detecting any movement.

If there is continuing movement in the detection zone, the light will stay on until movement ceases. (after 3 minutes)

LAMP REPLACEMENT

To isolate the unit, first switch off the unit from the mains power. Allow bulb to cool before attempting to remove it. Unscrew the lamp cover and take the old lamp out and replace with new one, close the lamp cover and tighten the screws.

WARNING: This fitting will become hot when in use. Allow bulb to cool before touching. Never touch the bulbs with your bare hands. Always use a clean cloth when handling the bulbs.

NOTE: THE INTELLIGENT MOTION SENSOR TRACKING LIGHT IS DESIGNED TO ILLUMINATE WHEN THE DETECTION AREA IS ENTERED BY A PERSON AND WILL DETECT MOVING HEAT SOURCE. THERE IS NO GUARANTEE IMPLIED THAT IT WILL PROVIDE TOTAL SECURITY OR PREVENT ILLEGAL ENTRY.

CLEANING

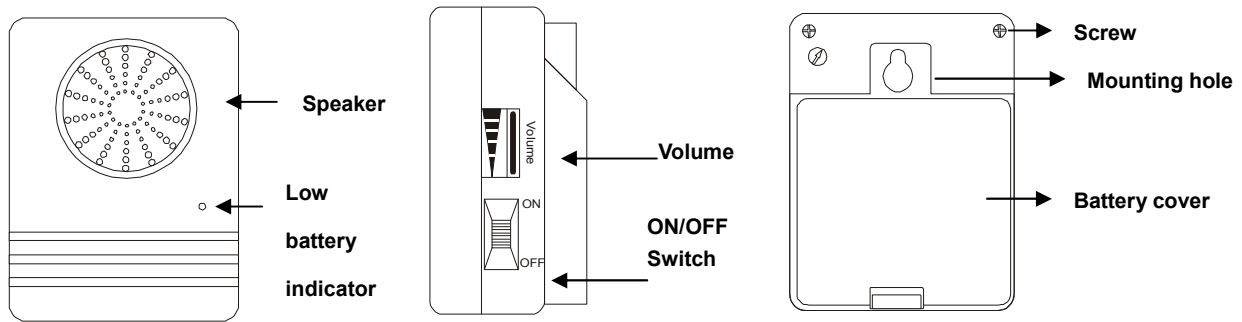
- Before Cleaning make sure that the power is cut off and allow to cool before commencing.
- Care must be taken while cleaning to avoid scratching the fitting and glass. A soft cloth or a fine hair brush should be used with a non-abrasive cleaner.

DO NOT use solvents or abrasive cleaners on any part of the Nightwatcher.

WIRELESS ALARM OPERATION

OVERVIEW

- Speaker: warning device will make a sound of alarm when the tracking light detects any movement.
- Low battery indicator: when batteries are going to be out of the power, the indicator will flash in red once per 3 seconds and this product will stop working until new batteries are replaced.
- Volume adjustment: adjust to your preferred volume. Maximum volume is up to 85 dB.
- ON/OFF switch: turns the alarm ON or OFF.



INSTALLING/REPLACING BATTERIES

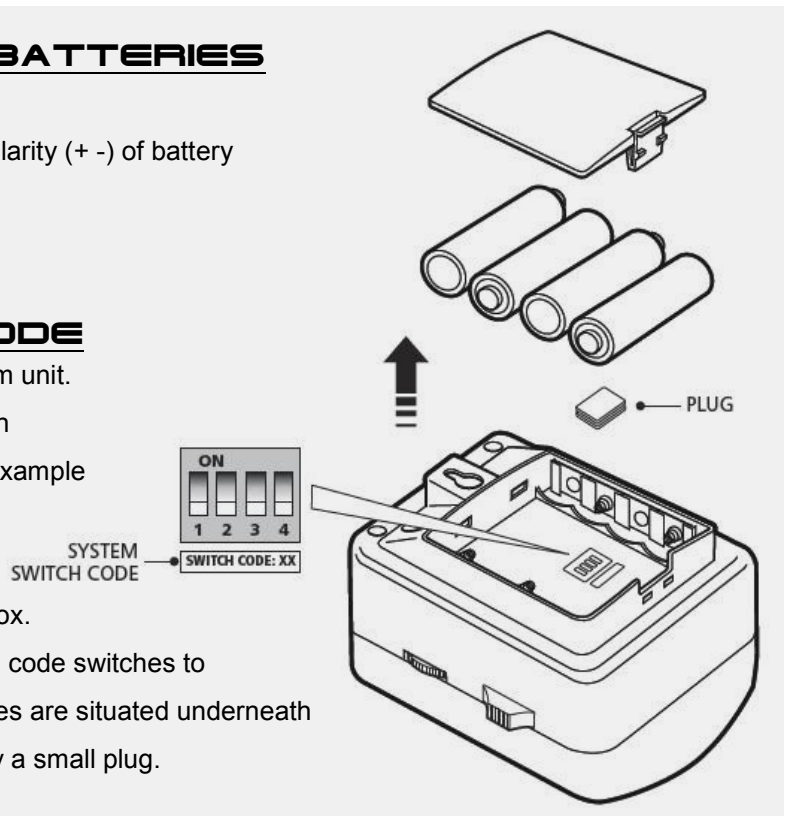
- Remove the battery cover.
- Install 4pcs AA 1.5V batteries. Make sure the polarity (+ -) of battery installed correctly. (Batteries not included)
- Re-fit the battery cover to warning device

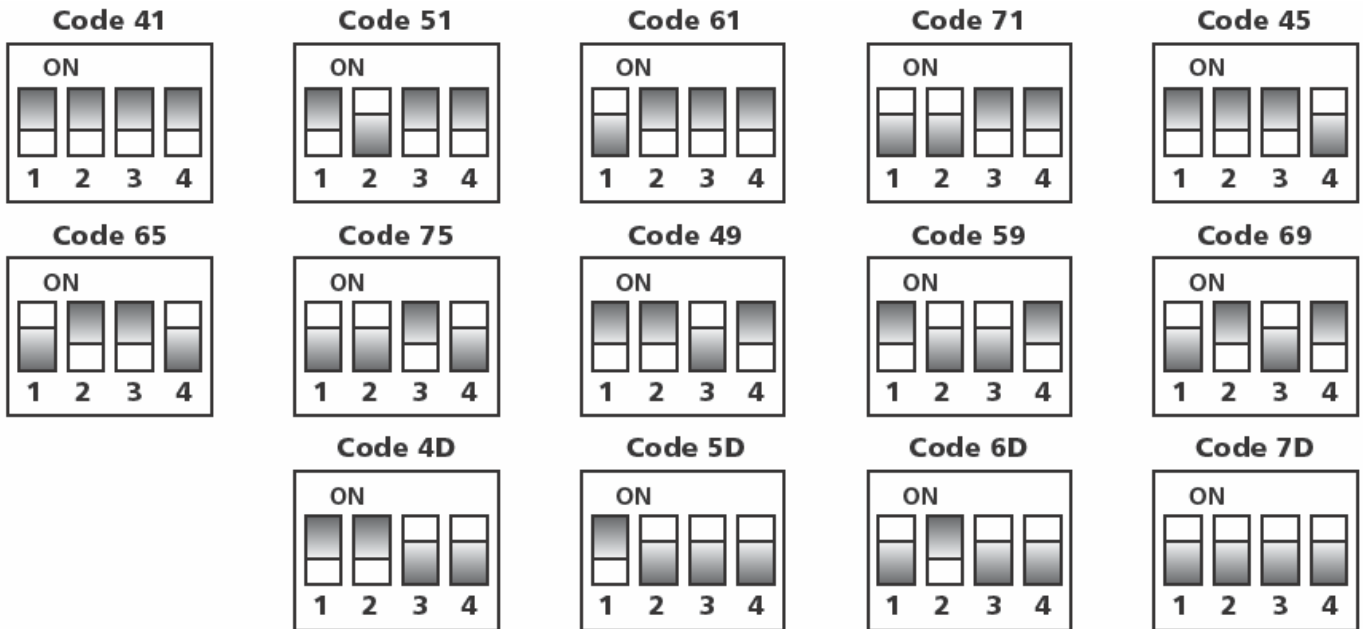
SETTING THE SYSTEM CODE

The system code MUST be set before using this alarm unit.

Please check that the system code set on your motion Sensor floodlight is the same as this alarm unit - for example If the code is 41 on your motion sensor floodlight, the code must be 41 on the alarm unit. This code is also on the AEC-9336A unit and in the connector box.

To set the system code on your alarm unit, slide the 4 code switches to their correct positions - see chart below. The switches are situated underneath the batteries in the battery compartment, protected by a small plug.

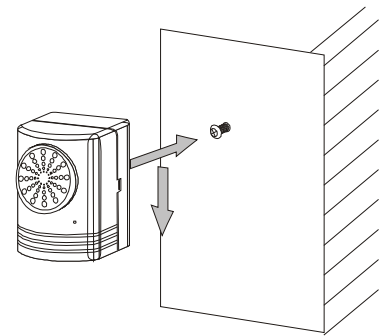




INSTALLATION

Warning device is designed for indoor use, please install it in the house or under the roof of the balcony.

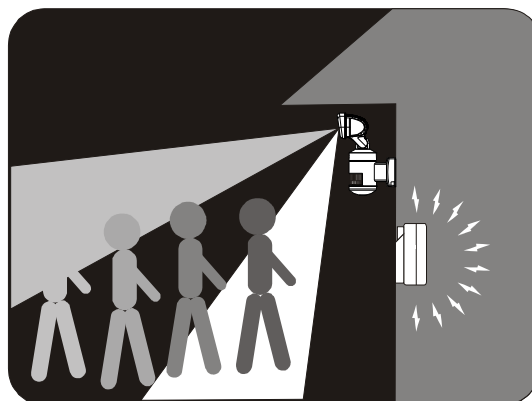
- Drill a hole on the wall.
- Ensure the provided wall plug push tightly into position and put the screw in the wall plug.
- Hang warning device on the screw and ensure it is well secured.



FUNCTION AND OPERATION

The tracking light can also work with RF wireless receiver. Warning device is a wireless receiver with alarm function equipped with volume adjustment and low battery indicator.

- As motion sensor detects movement, it will send a signal to warning device
- The alarm will be triggered for 30 seconds and off automatically.
- The control distance between the tracking light and warning device is around 15m max. Please install warning device within this range.



PRODUCT WARRANTY

1 YEAR REPLACEMENT WARRANTY

Your Nightwatcher Security Light is covered for a Period of 12 months from your **Date of Purchase.**

The Warranty covers faulty parts or workmanship.

The warranty is only made available by returning the product to your point of purchase with your receipt.

PURCHASED FROM:

DATE OF PURCHASE:

PRODUCT SERIAL #:

THIS WARRANTY FORM SHOULD BE RETAINED BY THE CUSTOMER AT ALL TIMES.

WARNING

The following actions will result in the warranty being void:

- If the product has been operated on a supply voltage other than that specified on the unit
- If the product shows signs of damage or defects caused by or resulting from abuse.
- If the product has been disassembled or tampered with in any way.
- If the product is not drilled, mounted and used in accordance with the instructions.

Note: Warranty excludes consumable parts such as tubes, globes and batteries.

YOUR WARRANTY FORM SHOULD BE RETAINED BY YOU AT ALL TIMES. SHOULD YOU HAVE ANY QUESTIONS PRIOR TO RETURNING YOUR PRODUCT FOR WARRANTY OR REPAIR PLEASE TELEPHONE OUR CUSTOMER SERVICE HELPLINE:

CUSTOMER SERVICE: 1300 281 005

TO ENSURE A QUICK RESPONSE PLEASE HAVE THE MODEL NUMBER, SERIAL NUMBER AND DATE OF PURCHASE AVAILABLE. A CUSTOMER SERVICE REPRESENTATIVE WILL TAKE YOUR CALL AND ANSWER ANY QUESTIONS YOU MAY HAVE RELATING TO THE WARRANTY POLICY OR PROCEDURE.

newlite

NEWLITE PTY LTD

E6, 2A Westall Road, Clayton,

Victoria, Australia, 3168

Phone: 1300 281 005

Fax: 03 8610 0393

Email: info@newlitecorp.com.au

Web: www.newlitecorp.com.au