

NIGHTWATCHER

MOTION TRACKING SENSOR HALOGEN LIGHT INSTALLATION & OPERATING MANUAL



**NIGHTWATCHER SURVEILLANCE PLUS
WIRELESS HANDHELD MONITOR
MODEL NO: NW1003X**

INTRODUCTION

Congratulations on the purchase of your new Nightwatcher Security Light. Before installation of the unit, please read the operating instructions and safeguards carefully. It is important that you read and follow the instructions in the manual, even if you feel you are familiar with this type of product.

SPECIFICATIONS

Model Number:	NW1003x
AC Input:	220-240V 50Hz
Time Adjustment:	30 / 60 Seconds
Sensor Range:	10m x 210°
Power Consumption:	150Watts
IP Weather Rating:	IP54
Lamp:	150, J type Halogen Lamp
Camera:	Color CMOS image sensor View angle 60° Transmission frequency: ISM 2.4GHz ARIB-T66
Sensitivity Adjustment:	5m / 10m
Operation Temperature:	0°~ + 50°

IMPORTANT SAFEGUARDS

WHEN USING ELECTRICAL APPLIANCES, IN ORDER TO REDUCE THE RISK OF FIRE, ELECTRIC SHOCK, AND/OR INJURY, THESE BASIC SAFETY PRECAUTIONS SHOULD ALWAYS BE FOLLOWED:

FOR YOUR SAFETY

Read all instructions carefully, even if you feel you are quite familiar with the appliance.

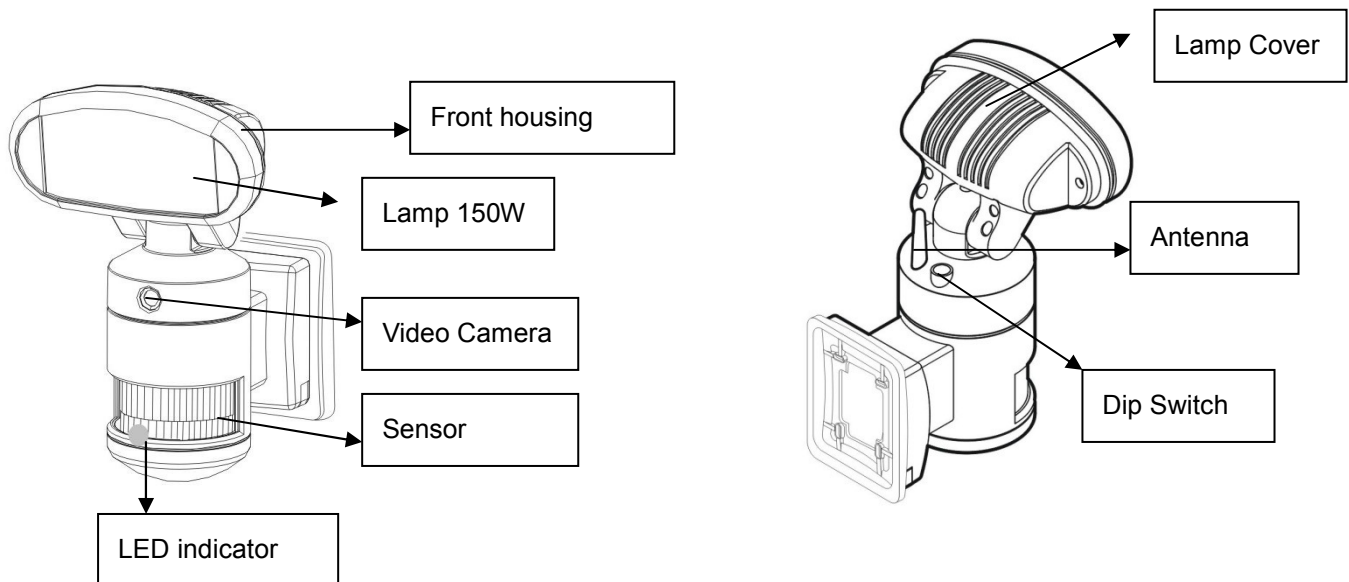
- Any alterations or additions to building wiring, must be completed by a licensed electrical mechanic, or person authorised by legislation to work on the fixed wiring of any electrical installation
- To prevent electric shock, please ensure that power is disconnected before installing.
- The appliance is not intended for use by children or infirm persons without supervision.
- Children should be supervised to ensure that they do not play with the appliance.
- This unit must be connected to a 220-240V 50Hz power source
- The lamp must be earthed
- The cable installed shall be 3 x 1.0mm² at least
- The unit is for outdoor use only
- The unit is for wall mounting

COMPULSORY WARNING

Note: No user serviceable parts inside. The Halogen Lamp is the only part that can be replaced. Unauthorised modification voids warranty, Return to place of purchase for replacement or service under warranty.

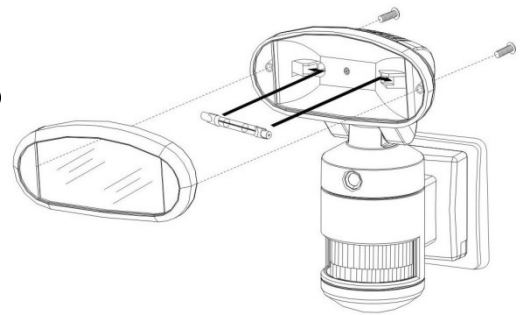
SAVE THESE INSTRUCTIONS

OVERVIEW



INSTALLING THE BULB

- Unscrew the lamp cover of the fitting and install a 150W J-ty
- Re-fit the lamp cover and tighten the screws.



IMPORTANT: THE INTALLATION OF THIS FITTING MUST BE DONE BY A QUALIFIED ELECTRICIAN.

- This fitting must be earthed.
- Do not mount the light against near flammable surfaces.
- The motion detector will not operate correctly if it is installed:
 - Near the outlet of a central heating boiler
 - Near air conditioning plant
 - Pointing directly at moving vehicles
 - Within sight of reflection from moving water
 - Where other lamps could shine onto the detector
- The maximum rating of this light is 150 Watts. Check that the total load of the circuit. Including this luminaire. Does not exceed the rating of the circuit cable.

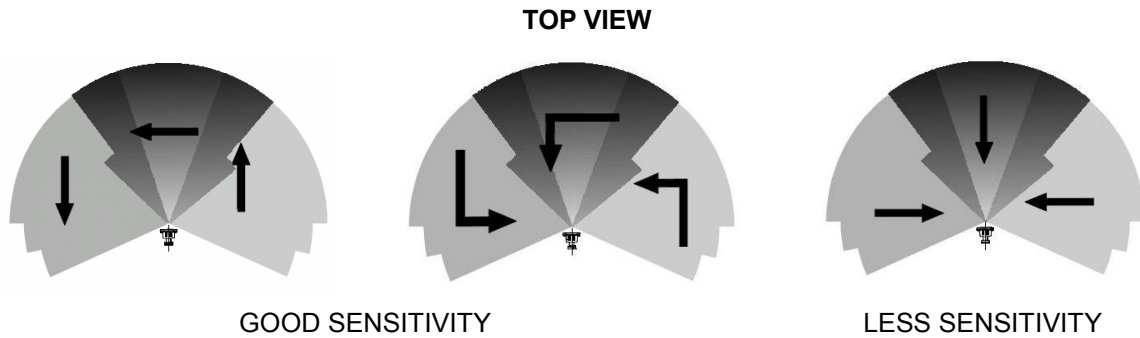
WARNING !!!

BEFORE ATTEMPTING ANY INSTALLATION OR MAINTENANCE, ENSURE THAT THE ELECTRICAL SUPPLY IS SWITCHED OFF AND THE CIRCUIT FUSES REMOVED OR THE CIRCUIT BREAKER IS IN THE "OFF" POSITION.

NOTE: This highly responsive unit may occasionally activate due to rapid environmental changes. Allow for approximately 30 seconds warm-up time before the sensor resumes normal activity.

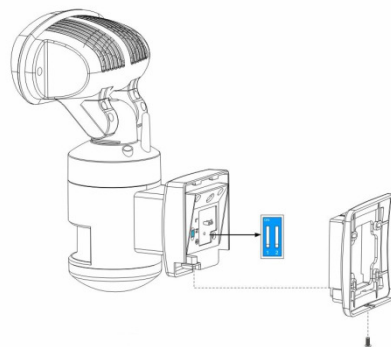
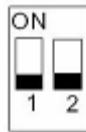
MOUNTING THE FITTING

To ensure correct operation of the sensor, mount the fitting where traffic passes across the detector.



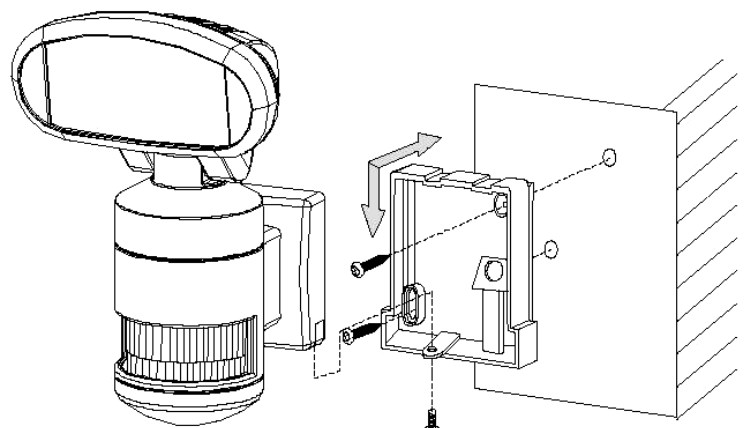
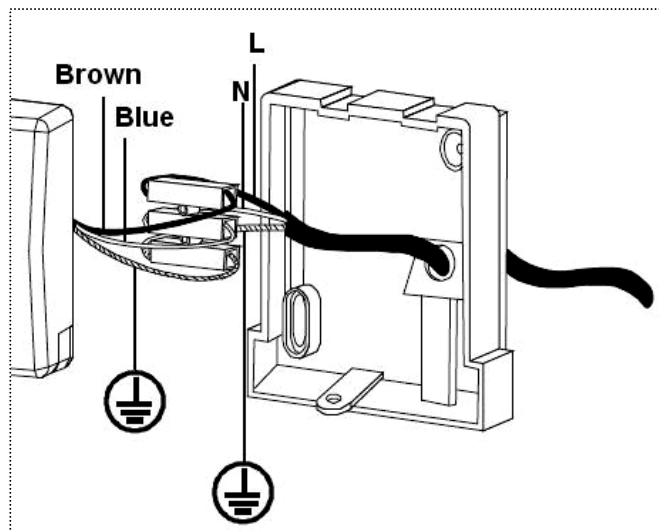
SETTING THE LIGHT UP TIME & SENSITIVITY

- Remove the back mounting box from the fixture by unscrewing the screw at the bottom.
 - Set the Light up time & Sensitivity you
- 1 : Light up time (OFF : 30 seconds / ON :
- 2 : Sensitivity (OFF : 5m / ON : 10m)
- Re-fit the back mounting box and tighten the screw.



WIRING INSTRUCTIONS

- Feed the cable through the back mounting box and bush the cable entry to avoid abrasion to the cable.
- Connect the earth wire to the connector opposite the green/yellow cable.
- Connect the brown phase conductor active to the connector opposite the brown cable and tighten the screws.
- Connect the blue neutral conductor to the connector opposite the blue cable and tighten the screws.
- Check that all connections are correct and tight,
- Re-fit the fitting to the back mounting box.

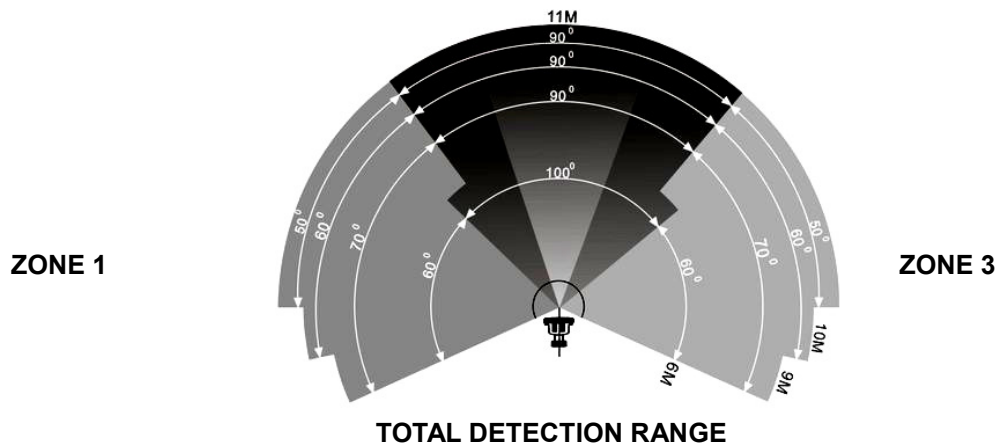


FUNCTION

This light is equipped with 3 motion sensors: zone 1 covers 60 degree; zone 2 covers 100 degrees and zone 3 covers 60 degrees.

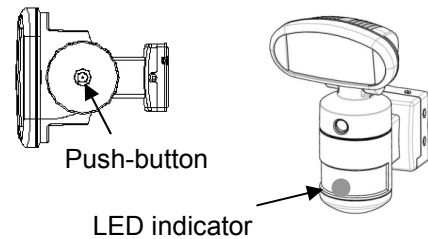
ZONE 2

220 degrees (maximum) in total for 3 zones.



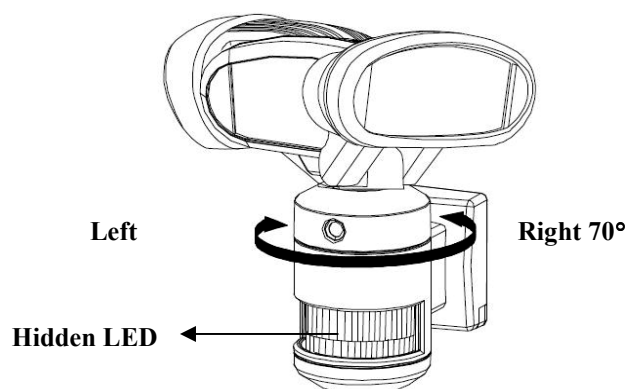
- The light will switch on for 30 /60 seconds and off automatically when heat/ movement is detected.
- The factory default: the mode is 「 Auto mode 」 for night time operation, camera works all day.
- To change the mode to night time only (Auto mode), push the button at the bottom of the housing and the hidden LED indicator will turn off at this mode. The light will be on at 30 /60 seconds when detecting any movement at night.

- Push-button for programmable functions:
 - **Test mode:** light and camera work all day
 - **Auto mode:** light works at night, camera works all day



- Reset function: If the stepper motor of tracking light works abnormally, the hidden LED indicator will flash red and the light will stop turning automatically. In Test mode, the red LED will flash for 3 times and off for 5 seconds; in “Normal mode”, the red light will flash in a regular pattern. Please simply switch off and on the main power to resume the tracking light. Below are the possible abnormal situations.

- External force: the light head is blocked by objects or is blown by strong wind and is unable to turn properly, the hidden LED will flash in red to signal users the abnormal situation.
- Stepper motor: when the stepper motor has reached the end of its life time or is damaged, the hidden LED will flash in red to signal users the abnormal situation. Please switch off and on the main power, the tracking light now may or may not resume its operation. If the stepper motor stops working, NW Surveillance Plus becomes a regular motion sensor security light.



OPERATION

1. Insert the plug to activate the light, the light is now under Test mode: light works on day and night

NOTE: Allow for approximately 30 seconds warm-up time before the sensor resumes normal activity.

2. To test, walk through the sensor's detection area.

3. Movement will activate the sensor and turn the light on; the light will turn to the detected zone automatically.

4. After the light is activated, **keep out of the detection area** and the light will switch off automatically after light up time (30/60 seconds). The light will be activated again when detecting any movement.

If there is continuing movement in the detection zone, the light will stay on until movement ceases. (After light up time)

LAMP REPLACEMENT

To isolate the unit, first switch off the unit from the mains power. Allow bulb to cool before attempting to remove it. Unscrew the lamp cover and take the old lamp out and replace with a new one, close the lamp cover and tighten the screws.

WARNING: This fitting will become hot when in use. Allow bulb to cool before touching.

CLEANING

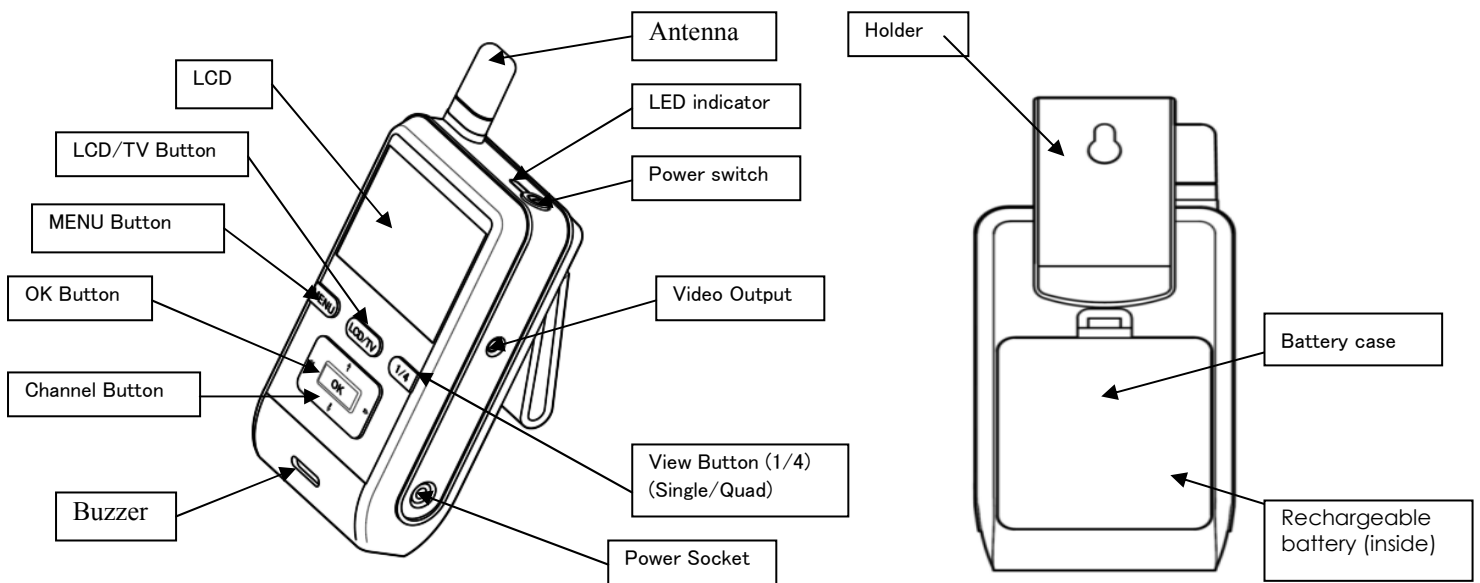
- Before Cleaning make sure that the power is cut off and allow to cool before commencing.
- Care must be taken while cleaning to avoid scratching the fitting and glass. A soft cloth or a fine hair brush should be used with a non-abrasive cleaner.

DO NOT use solvents or abrasive cleaners on any part of the Nightwatcher.

NOTE: THE INTELLIGENT MOTION SENSOR TRACKING LIGHT IS DESIGNED TO ILLUMINATE WHEN THE DETECTION AREA IS ENTERED BY A PERSON AND WILL DETECT A MOVING HEAT SOURCE. THERE IS NO GUARANTEE IMPLIED THAT IT WILL PROVIDE TOTAL SECURITY OR PREVENT ILLEGAL ENTRY.

NIGHTWATCHER SURVEILLANCE PLUS WIRELESS HANDHELD MONITOR

I. OVERVIEW OF AEC-711C

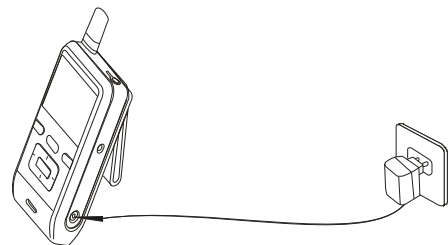


II. ASSEMBLY INSTRUCTION

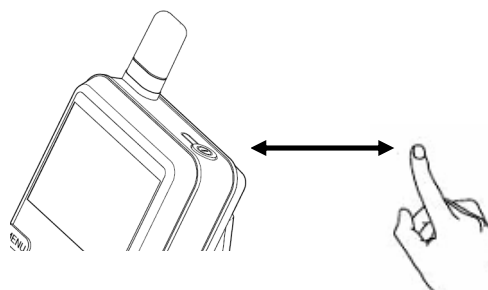
1. Install 3pcs NI-MH rechargeable batteries to the battery compartment with its polarities matched.

Note:

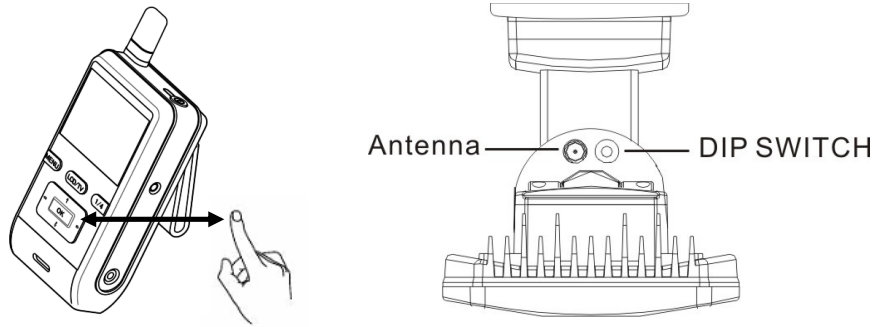
- This receiver can also be powered on by adapter (DC 6V 1.5A).
- The rechargeable battery will be charged after the adapter is plugged in, and the charge indicator lights up during charging and will turn off after a full charge.
- A full charge will take about 6 hours, which can power the receiver for about 4 hours continuously.
- You are recommended to have the battery fully charged before its first installation to optimize its life.
- Do not burn or disassemble the rechargeable battery.
- Do not short-circuit the battery; it may cause fire or electric shock.



2. Push the power switch to **ON** position.



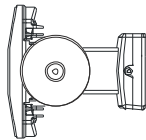
3 . Set the channel of receiver same as that of NW2202 by pressing the channel button continuously, and the pictures are displayed on the monitor/TV.



- Press "MENU Button" then press Channel Button to select "MONITOR" and press "OK button".
- Press "Channel Button" to select "Pair Cam" and then press "OK button".
- There is "1 2 3 4" shown on the LCD, to select which number of channel you want to set up this fitting. Within 10 seconds, press "Channel Button" to select the number of the channel you want then press "OK button". Within 10 seconds, press the "Dip Switch" on the fitting and when you see detecting image displayed on the LCD, it means the channel setting is completed. If it shows "No Connection", repeat these steps again.
- For other three different fittings, repeat the above same steps to set up the different channel. Press "View Button" for Quad View condition, you can see 4-split view from 4 different fittings.

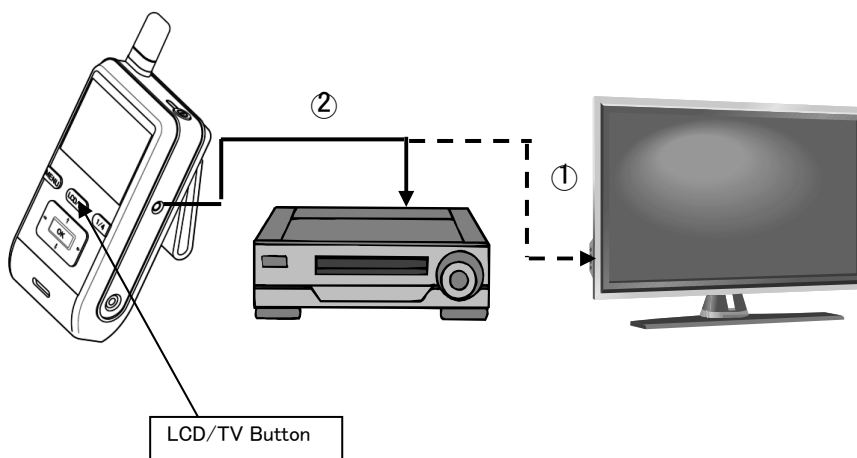
NOTE: 1. when you make the channel setting, LCD must be under "Single View" condition.

2. Before setting the channel between the fitting and LCD, press "Push-button" switch on the bottom of the fitting firstly, the stepper motor will stop working (the RED LED will keep flashing) in order to keep "Dip Switch" on the fitting not moving and can be easily pressed when setting up the channel later.



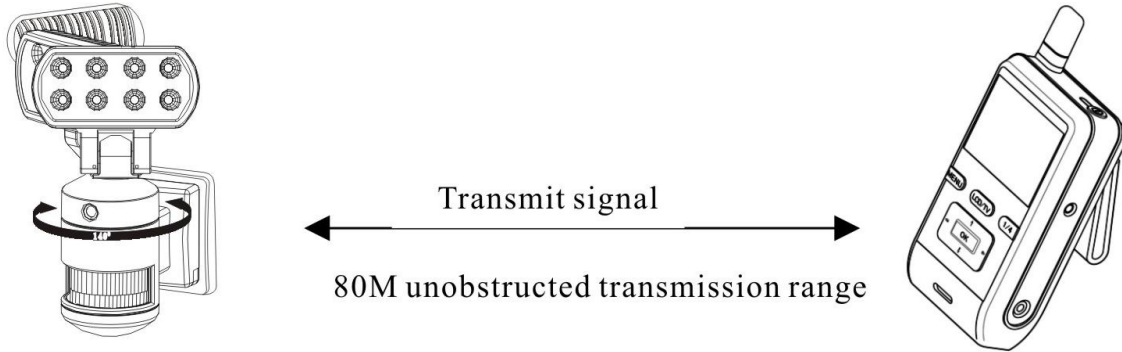
4. for more clear pictures or record image:

- ① Please connect the receiver to a TV with video cable.
- ② Please connect the receiver to a TV and a video recorder with video cable.



III. OPERATION

When NW2202 detects any movement, the wireless LCD monitor is triggered for 30/60 seconds image at the same time. The unobstructed transmission effective range is about 80 meters, but actual transmission range may vary according to weather, location, interference and building. One wireless LCD monitor is possible to display 4 camera images.



OPERATION OF WIRELESS HANDHELD SCREEN RECEIVER

1. LCD image display : push view button 「 1/4 」 for image display
-Single View : single CAMERA view (initial image<original default>)
display image from one camera at one time

-Quad View : 4 split view (able to connect 4 CAMERAS and
display 4 images on screen at the same time)

☆When SENSOR is triggered, the monitor will sound "BEEP"
(“BEEP” is set “ON” condition)

No. 1 sensor light detects motions, sound“BEEP” once

No. 2 sensor light detects motions, sound“BEEP-BEEP” twice

No. 3 sensor light detects motions, sound“BEEP-BEEP-BEEP”3 times

No. 4 sensor light detects motions, sound“BEEP-BEEP-BEEP-BEEP” 4 times

☆BEEP will sound continuously for 20 times and stops if there is no further detection.

During 20 times of BEEP if this unit detects any motions, it will recount for 20 times.

☆ Push any of the buttons to stop“BEEP”.

☆When BEEP is set “OFF”, there will be no sound.

☆ 「 View Mode 」 is set“MENU”(manual) , the number of camera will flash under quad-view.

IMPORTANT

This is only for connecting 1 CAMERA.

For connecting several CAMERAS, make sure to return
to quad-view after finishing setting in single view.

2. Function settings : push “MENU” button to choose settings.

-CAMERA :

Cam1 EV : -2.0~+2.0	Set the brightness of CAMERA. Standard value is
Cam2 EV : -2.0~+2.0	0, turn the knob to“-“side to reduce the brightness,
Cam3 EV : -2.0~+2.0	turn the knob to”+“side to increase the brightness.
Cam4 EV : -2.0~+2.0	Before attempting any setting, please power sensor
	light. For multiple cameras, the brightness of each
	CAMERA may be different, please adjust the
	brightness to preferred value.

(Every adjustment value is 0.5. Original default is 0.)

Freq : 50 / 60 Hz

Version : software program version

Reset : Yes/No Back to original default.

-MONITOR :

Beep : <u>ON</u> /OFF(original default ON)	When SENSOR detects motions, monitor will beep.
Beep Vol : <u>High</u> /Low(original default High)	Volume adjustment for beep
Brightness : 0~10(original default 5)	LCD brightness adjustment
OSD Disp : <u>ON</u> /OFF	Date and antenna icon display set
View Mode : <u>AUTO</u> /MENU(original default AUTO)	Single view and quad-view setting (AUTO/MENU): Under AUTO mode, single view will return to quad-view automatically 20 seconds later ; under MENU mode, please switch from single view to quad-view by manual. Under MENU mode, if switch to single view, there will no display on the screen if other sensor lights detect motions.
Scan time : <u>OFF</u> /5SEC/10SEC/15SEC (original default OFF)	Looping function, 4 CAMERAS display single view on the screen in order.
Pair Cam : 1/2/3/4	Register CAMERA ID ◦ (up to 4 CAMERAS)

IMPORTANT

Before registering ID, please push the bottom button to stop sensor light turning.

Version : software program version

Reset : YES/NO

Back to original default.

-Other : Date/Time : set time and date

CHARGE

When connect Wireless Handheld Screen Receiver to AC ADAPTER, it will charge batteries automatically.

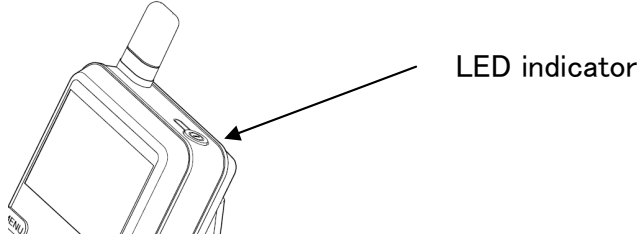
Under charge, LED turns red color.

Charge time : 6 hours max.

Red LED : charge

Red LED flashes : abnormal charge

※Under abnormal charge, please remove AC ADAPTER and check if batteries are placed correctly.



IMPORTANT

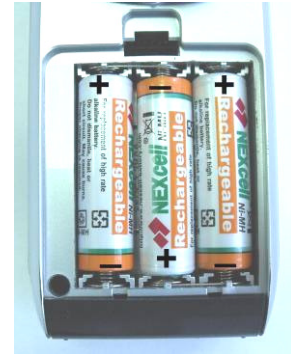
DO NOT USE PRIMARY BATTERY!

Such as Manganese electric battery · Alkaline electric battery and oxy ride electric battery to prevent hazard like leakage and crack.

REPLACE BATTERIES

Battery used : AA NI-MH 2600mAh rechargeable battery 3PCS

1. Take old batteries out.
2. Place new batteries into battery case see right side figure
 - Make sure the polarity is aligned correctly
 - Please replace 3 batteries together



PRODUCT WARRANTY

1 YEAR REPLACEMENT WARRANTY

Your Nightwatcher Security Light is covered for a Period of 12 months from your

Date of Purchase.

THIS WARRANTY FORM SHOULD BE RETAINED BY THE CUSTOMER AT ALL TIMES.

WARNING

The following actions will result in the warranty

The Warranty covers faulty parts or workmanship.

The warranty is only made available by returning the product to your point of purchase with your receipt.

PURCHASED FROM:

DATE OF PURCHASE:

PRODUCT SERIAL #:

being void:

- If the product has been operated on a supply voltage other than that specified on the unit
- If the product shows signs of damage or defects caused by or resulting from abuse.
- If the product has been disassembled or tampered with in any way.
- If the product is not drilled, mounted and used in accordance with the instructions.
-

Note: Warranty excludes consumable parts such as tubes, globes and batteries.

YOUR WARRANTY FORM SHOULD BE RETAINED BY YOU AT ALL TIMES. SHOULD YOU HAVE ANY QUESTIONS PRIOR TO RETURNING YOUR PRODUCT FOR WARRANTY OR REPAIR PLEASE TELEPHONE OUR CUSTOMER SERVICE HELPLINE:

CUSTOMER SERVICE: 1300 281 005

TO ENSURE A QUICK RESPONSE PLEASE HAVE THE MODEL NUMBER, SERIAL NUMBER AND DATE OF PURCHASE AVAILABLE. A CUSTOMER SERVICE REPRESENTATIVE WILL TAKE YOUR CALL AND ANSWER ANY QUESTIONS YOU MAY HAVE RELATING TO THE WARRANTY POLICY OR PROCEDURE.

newlite

NEWLITE PTY LTD

E6, 2A Westall Road, Clayton,
Victoria, Australia, 3168

Phone: 1300 281 005

Fax: 03 8610 0393

Email: info@newlitecorp.com.au

Web: www.newlitecorp.com.au